

SPECIFICATION

规格书

Seller 销售商

PowerNex

Manufacturer 制造商

CCHV

MODEL NO. 型号

CHACB2L-A

1. PRODUCT SAFETY 产品安全

1. CCHV will not guarantee this product if it is used in conditions other than the parameters outlined in this specifications. 我们不保证超规格使用的产品可靠性。
2. Please contact CCHV to confirm any customer requirements not specified in the specification. 当您的需要未在本式样书中定义请联络我们。
3. Please handle fans carefully. Damage may result from pressure to the impeller, carrying by the lead wires, or dropping fans on a hard surface. 请仔细处置风扇. 当有外力压扇叶, 拉扯线缆, 或者风机掉落在硬质地面时有可能造成风机的损伤。
4. The introduction of power, dust water insects or other erosion elements into the HUB will result in safety problems or product failure, except in products designed for special environments. 将电源、尘、水、昆虫或其他侵蚀元素引入轮毂将导致安全问题或产品故障, 但为特殊环境设计的产品除外。
5. Items 1-4, mentioned above, are generally pertinent to our products, and should be a first point of reference. 上述第 1-4 项通常与我们的产品有关, 应作为第一参考要点。
6. It is very important to establish the correct polarity before connecting the fan to the power source, Positive (+) and Negative (-). Damage may be cause by connecting with reverse polarity. 在将风扇连接到电源正极 (+) 和负极 (-) 之前, 确认正确的极性非常重要。反接可能导致损坏。
7. Avoid operating our products in environments where poisonous or corrosive elements are present (organic, silicon, cyanogens, formal in phenol, H₂S, SO₂, NO₂, Cl₂, etc) 避免在有毒或腐蚀性元素存在的环境中操作我们的产品 (有机物、硅、氰化物、苯酚中的甲醛、硫化氢、二氧化硫、二氧化氮、二氧化氯等)
8. Please ensure that fans are stored according to the storage temperature specified. Do not store in a high humidity environment. If fans are stored for more than 6 months, CCHV recommends testing of fans before using. 请确保风扇被按照规定的存储温度存储。不要存放在高湿度环境中。如果风机存放时间超过6个月, CCHV建议在使用前对风机进行测试。
9. Not all series fans are provided with the lock rotor protection feature. Damage or failure will result from operating fans without this feature, if the impeller for the fan is in any way hindered or impaired. 并非所有系列风扇都具有锁定转子保护之功能。如果风扇的转子以任何方式受到阻碍或损坏, 没有此功能的风扇将被之损坏或引发故障。
10. Install fans carefully. Incorrect mounting or installation may result in excessive resonance, vibration and subsequent noise. 小心地安装风扇。不正确地安装可能导致共振、振动和引起的噪音。
11. Safety is a top priority. Please utilize guard accessories to prevent injury to personnel. 安全是最高的要务。请使用防护配件以防止人员受伤。
12. Unless otherwise noted, all tests are conducted at 25° C ambient temperature, and 65% relative humidity. 除非另有说明, 所有试验均在25° C环境温度和65%相对湿度下进行。
13. When using multiple fans in parallel, connect an 'over 4.7 μF 'capacitor externally to the fan to prevent abnormal resulting from unstable power. 当并联使用多个风扇时, 在风扇外部连接一个“>4.7 μf”的电容器, 以防止输入不稳定而导致异常。
14. Any change to the parameters specified in this specification will be determined by mutual agreement between both parties. Parameters not specified will be identical to the final sample approved by your company. 本规格式样书中规定的参数的任何变更将由双方协商决定。未指定的参数将与贵公司批准的最终样品相同。

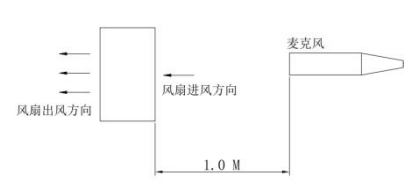
2.1 Electrical Characters 电子特性:

No. 编号	Item 项目	Specification 规格式样	Remark 备注
2-1	Rated Voltage 额定电压	A. C. 交流 220V 50/60Hz	
2-2	Operating voltage 操作电压范围	A. C. 交流 200V~240V	
2-3	Starting voltage 启动电压	A. C. 交流 160V NORMALLY	At 25°C Power ON/OFF in free air 在自由流场中25°C电源开关启动
2-4	Rared Current 额定电流	0.07/0.06 Amp NORMALLY	Free Air at Rated voltage 在自由流场中输入额定电压
2-5	Safety certification current value 安规认证电流值	0.26A	Current on label 标签上电流
2-6	Operating temperature 操作温度	-20°C to +50°C	
2-7	Storage temperature and humidity range 储存温度和湿度	-30°C to 70°C, 25% to 85% RH	

2.2 Mechanical Characters 机械特性

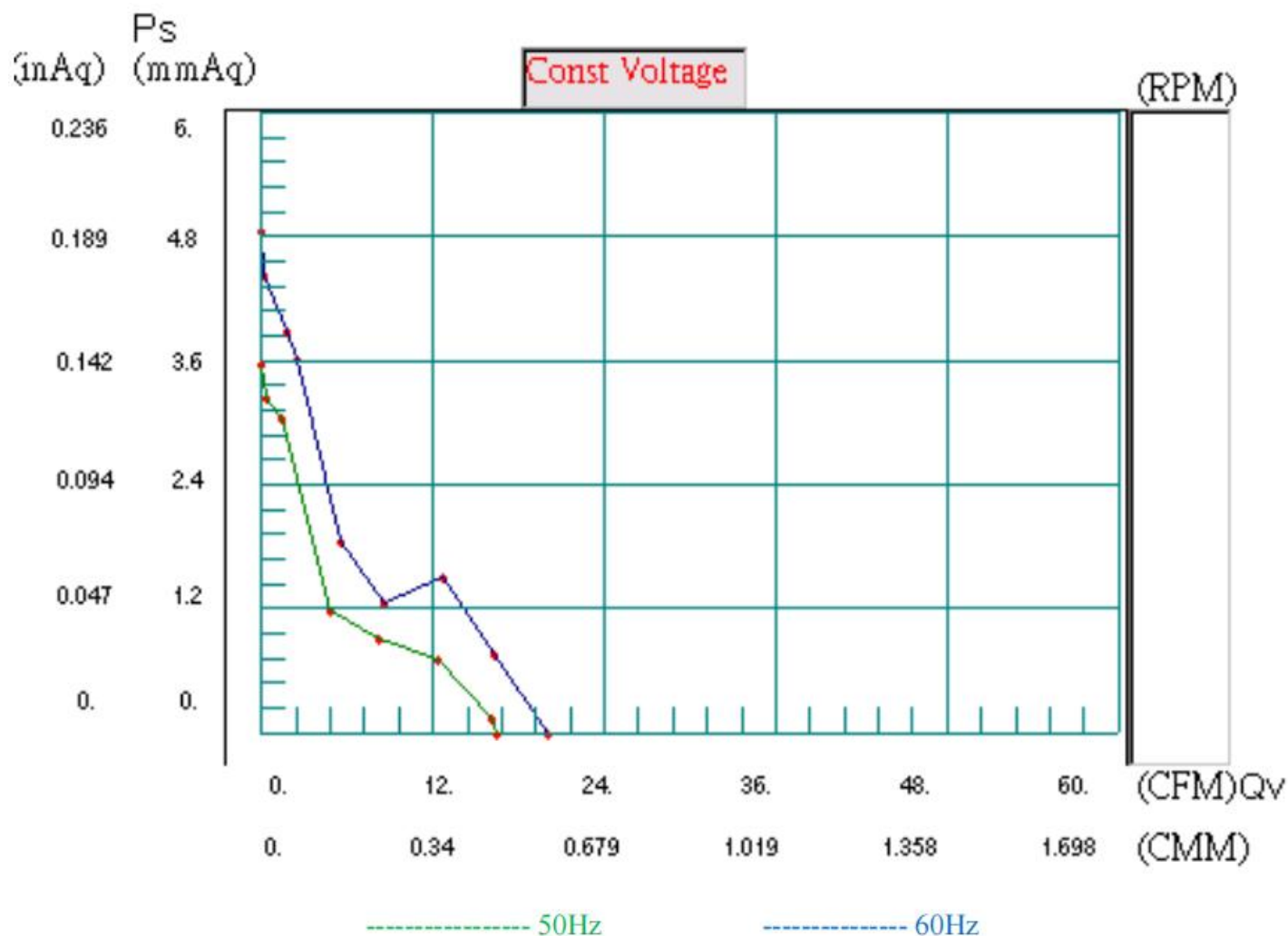
No. 编号	Item 项目	Specification 规格式样	Remark 备注
2-8	Bearing System 轴承系统	Ball Bearing 滚珠轴承	
2-9	External Dimension 外观尺寸	80*80*25 mm	
2-10	Net Weight 产品重量	220 Grams	

2.3 Performance Characters 性能特性

No. 编号	Item 项目	Specification 规格式样	Remark 备注
2-11	Speed速度	2550/3000 RPM±10%	At 25°C, To record speed after fan running normal, This time about 3~5minutes 在25°C通电记录转速直至转速稳定, 这个时间大约需要3~5分钟
2-12	Air flow 风量	16/ 19 CFM	At zero static pressure 在0静压情况下
2-13	Air pressure 风压	3.5/4.8mmH2O	At zero air flow 在0风量情况下
2-14	Acoustical noise 声音水平	28/34 dBA	According to ISO10302 依据ISO10302 Free Air at Rated voltage 在自由流场中输入额定电压 
		1.0 meter from Air intake side 麦克风置于离入风口1米远处(如右图) Background noise max. 10.0dB-A 无响室 背景噪声水平最大10.0dB-A	
2-15	Insulation Class 绝缘等级	UL: Class B	
2-16	Life expectancy 期望寿命	L10>=50,000hrs continuous at 40°C L10>=50,000小时持续动作40°C	

3. PQ curve: (Rated Voltage)

PQ 曲线(输入额定电压)



4. Label: 标签

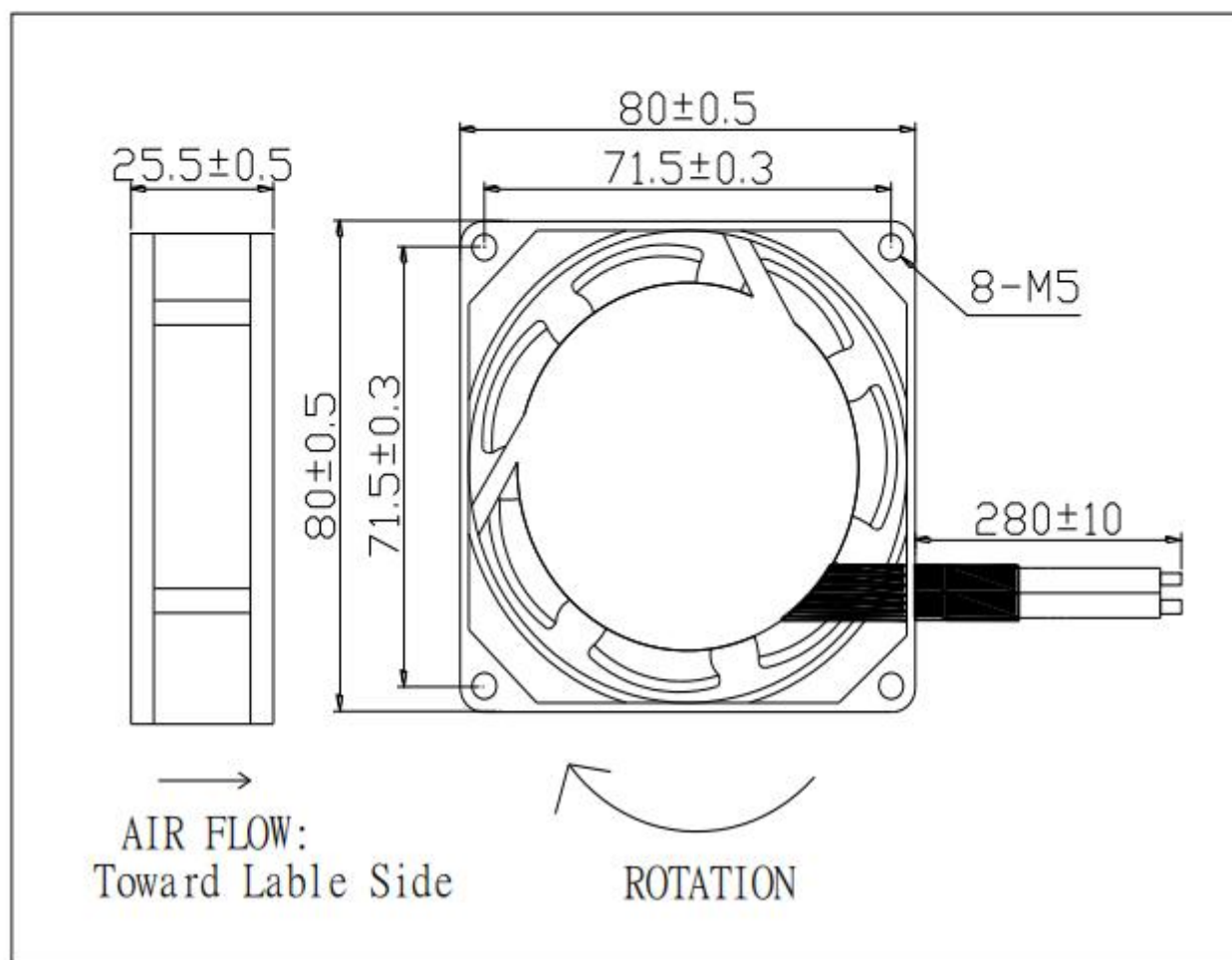


5. Drawing 图纸 (单位: mm)

MATERIAL

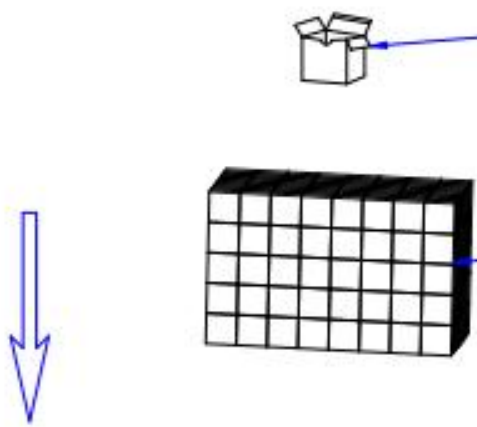
- 1. Impeller : Thermoplastic PBT
- 2. Bobbin : Thermoplastic PA66
- 3. Lead Wire : UL 3266AWG#22
- 4. Housing: Die-cast aluminum

DIMENSIONS: MM



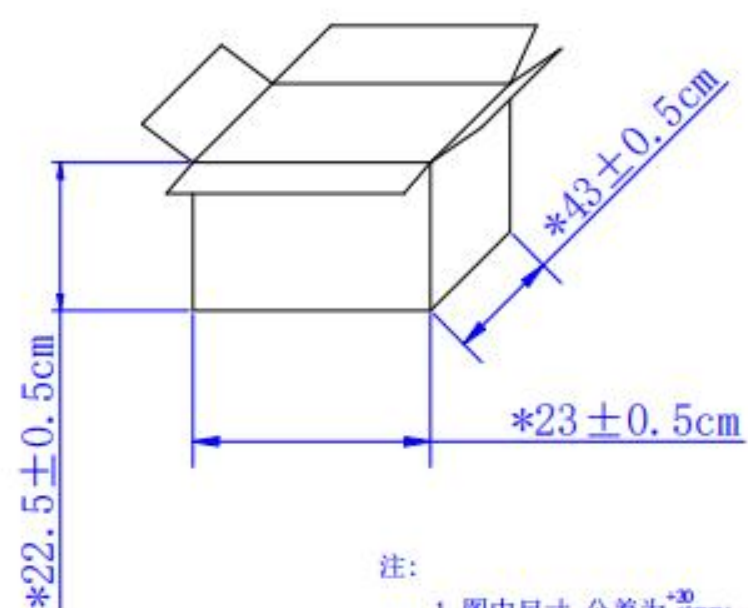
6. 产品包装说明:

版本	记录	修订说明	修改人	日期
00		具体以最终设计更新为准。		



每个盒子1Pcs产品

每箱产品放3层, 共60Pcs产品




*22.5 ± 0.5cm

*23 ± 0.5cm

*43 ± 0.5cm

注:

1. 图中尺寸,公差为 $^{-30}$ mm;
2. 纸箱两边侧唛右上角都要以80*80mm方框标出贴标位;
3. 纸箱的正唛、侧唛排版布局要美观;
4. 纸箱各面平整,无破损;

12038包装规范		材质	A=B加坑110			
签名		比例				
批准	重量	料号				
校对	视角		一般公差	角度	X. X	X. XX
设计	单位		mm	±1°	±0.1	±0.05