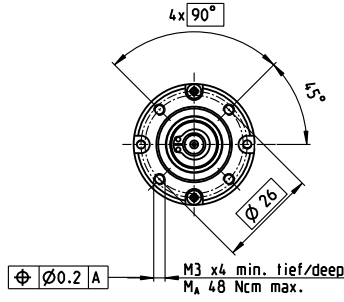
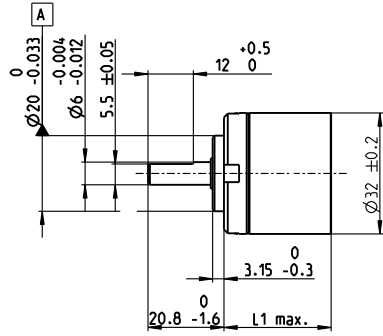


# Planetary Gearhead GP 32 BZ $\varnothing 32$ mm, 0.75–4.5 Nm

Low Backlash

gear



### Technical Data

Planetary Gearhead	straight teeth
Output shaft	stainless steel, hardened
Bearing at output	ball bearing
Radial play, 5 mm from flange	max. 0.1 mm
Axial play	max. 0.7 mm
Max. axial load (dynamic)	120 N
Max. force for press fits	120 N
Direction of rotation, drive to output	=
Max. continuous input speed	4000 rpm
Recommended temperature range	-40...+100°C
Number of stages	1 2 3
Max. radial load, 12 mm from flange	70 N 110 N 130 N

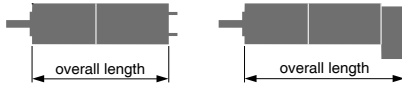
M 1:2

- Stock program
- Standard program
- Special program (on request)

### Part Numbers

	358975	351942	358331	357988	358335	358385	358512	358513	358515	358516
<b>Gearhead Data</b>										
1 Reduction	3.7:1	5.2:1	19:1	27:1	35:1	71:1	100:1	139:1	181:1	236:1
2 Absolute reduction	$\frac{63}{17}$	$\frac{57}{11}$	$\frac{3591}{187}$	$\frac{3249}{121}$	$\frac{1539}{44}$	$\frac{226233}{3179}$	$\frac{204687}{2057}$	$\frac{185193}{1331}$	$\frac{87723}{484}$	$\frac{41553}{176}$
3 Max. motor shaft diameter	mm 5.5	3	3	3	3	3	3	3	3	3
4 Number of stages	1	1	2	2	2	3	3	3	3	3
5 Max. continuous torque	Nm 0.75	0.75	2.25	2.25	2.25	4.5	4.5	4.5	4.5	4.5
Max. continuous torque within the preloading	Nm 0.5	0.5	1.1	1.1	1.1	1.7	1.7	1.7	1.7	1.7
6 Max. intermittent torque at gear output	Nm 1.1	1.1	3.2	3.2	3.2	6.2	6.2	6.2	6.2	6.2
7 Max. efficiency	% 85	85	80	80	80	70	70	70	70	70
8 Weight	g 150	150	190	190	190	240	240	240	240	240
9 Average backlash no load	° 0.15	0.15	0.35	0.35	0.35	0.5	0.5	0.5	0.5	0.5
10 Mass inertia	gcm <sup>2</sup> 1.25	1.25	0.75	0.75	0.75	0.7	0.7	0.7	0.7	0.7
11 Gearhead length L1*	mm 33.5	33.5	43.6	43.6	43.6	53.1	53.1	53.1	53.1	53.1

\*for EC 32 L1 is + 6.4 mm, for RE 30 L1 is + 1.0 mm



### maxon Modular System

+ Motor	Page	+ Sensor/Brake	Page	Overall length [mm] = Motor length + gearhead length + (sensor/brake) + assembly parts									
RE 25	144/146			88.1	88.1	98.2	98.2	98.2	107.7	107.7	107.7	107.7	107.7
RE 25	144/146	MR	478	99.1	99.1	109.2	109.2	109.2	118.7	118.7	118.7	118.7	118.7
RE 25	144/146	Enc 22	483	102.2	102.2	112.3	112.3	112.3	121.8	121.8	121.8	121.8	121.8
RE 25	144/146	HED_5540	486/488	108.9	108.9	119.0	119.0	119.0	128.5	128.5	128.5	128.5	128.5
RE 25	144/146	DCT 22	495	110.4	110.4	120.5	120.5	120.5	130.0	130.0	130.0	130.0	130.0
RE 25, 20 W	145			76.6	76.6	86.7	86.7	86.7	96.2	96.2	96.2	96.2	96.2
RE 25, 20 W	145	MR	478	87.6	87.6	97.7	97.7	97.7	107.2	107.2	107.2	107.2	107.2
RE 25, 20 W	145	HED_5540	487/488	97.4	97.4	107.5	107.5	107.5	117.0	117.0	117.0	117.0	117.0
RE 25, 20 W	145	DCT 22	495	98.9	98.9	109.0	109.0	109.0	118.5	118.5	118.5	118.5	118.5
RE 25, 20 W	145	AB 28	535	110.7	110.7	120.8	120.8	120.8	130.3	130.3	130.3	130.3	130.3
RE 25, 20 W	145	HED_5540/AB 28	487/535	127.9	127.9	138.0	138.0	138.0	147.5	147.5	147.5	147.5	147.5
RE 25, 20 W	146	AB 28	535	122.2	122.2	132.3	132.3	132.3	141.8	141.8	141.8	141.8	141.8
RE 25, 20 W	146	HED_5540/AB 28	486/535	139.4	139.4	149.5	149.5	149.5	159.0	159.0	159.0	159.0	159.0
RE 30, 60 W	148			102.6	102.6	112.7	112.7	112.7	122.2	122.2	122.2	122.2	122.2
RE 30, 60 W	148	MR	479	114.0	114.0	124.1	124.1	124.1	133.6	133.6	133.6	133.6	133.6
RE 30, 60 W	148	HED_5540	486/488	123.4	123.4	133.5	133.5	133.5	143.0	143.0	143.0	143.0	143.0
RE 35, 90 W	149			104.6	104.6	114.7	114.7	114.7	124.2	124.2	124.2	124.2	124.2
RE 35, 90 W	149	MR	479	116.0	116.0	126.1	126.1	126.1	135.6	135.6	135.6	135.6	135.6
RE 35, 90 W	149	HED_5540	486/488	125.3	125.3	135.4	135.4	135.4	144.9	144.9	144.9	144.9	144.9
RE 35, 90 W	149	DCT 22	495	122.7	122.7	132.8	132.8	132.8	142.3	142.3	142.3	142.3	142.3
RE 35, 90 W	149	AB 28	535	140.7	140.7	150.8	150.8	150.8	160.3	160.3	160.3	160.3	160.3
RE 35, 90 W	149	HEDS 5540/AB 28	486/535	157.9	157.9	168.0	168.0	168.0	177.5	177.5	177.5	177.5	177.5
A-max 26	171-174			78.3	78.3	88.4	88.4	88.4	97.9	97.9	97.9	97.9	97.9
A-max 26	171-174	MR	478	87.1	87.1	97.2	97.2	97.2	106.7	106.7	106.7	106.7	106.7
A-max 26	171-174	Enc 22	483	92.7	92.7	102.8	102.8	102.8	112.3	112.3	112.3	112.3	112.3
A-max 26	171-174	HED_5540	487/489	96.7	96.7	106.8	106.8	106.8	116.3	116.3	116.3	116.3	116.3
A-max 32	175			96.5	96.5	106.6	106.6	106.6	116.1	116.1	116.1	116.1	116.1
A-max 32	176			95.1	95.1	105.2	105.2	105.2	114.7	114.7	114.7	114.7	114.7
A-max 32	176	MR	479	106.3	106.3	116.4	116.4	116.4	125.9	125.9	125.9	125.9	125.9
A-max 32	176	HED_5540	487/488	115.9	115.9	126.0	126.0	126.0	135.5	135.5	135.5	135.5	135.5
EC 32, 80 W	238			100.2	100.2	110.3	110.3	110.3	119.8	119.8	119.8	119.8	119.8
EC 32, 80 W	238	HED_5540	487/490	118.6	118.6	128.7	128.7	128.7	138.2	138.2	138.2	138.2	138.2
EC 32, 80 W	238	Res 26	496	120.3	120.3	130.4	130.4	130.4	139.9	139.9	139.9	139.9	139.9