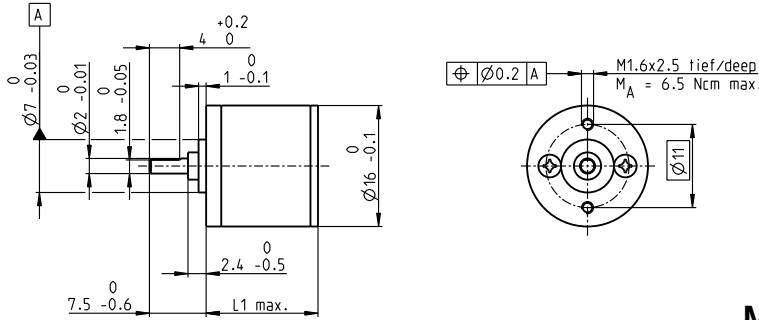


Spur Gearhead GS 16 A $\varnothing 16$ mm, 0.015–0.04 Nm

gear



M 1:1

Technical Data

Spur Gearhead	straight teeth
Output shaft	stainless steel, hardened
Bearing at output	sleeve bearing
Radial play, 6.5 mm from flange	max. 0.15 mm
Axial play	0.02–0.12 mm
Max. axial load (dynamic)	2 N
Max. force for press fits	30 N
Max. continuous input speed	8000 rpm
Recommended temperature range	-15...+100°C
Extended range as option	-40...+100°C
Max. radial load, 6.5 mm from flange	2 N

Gearhead Data	Part Numbers						
	144409	143761	143763	143765	143767	143769	
1 Reduction	6.4:1	22:1	76:1	261:1	900:1	3101:1	
2 Absolute reduction	$\frac{403}{63}$	$\frac{12493}{567}$	$\frac{387283}{5103}$	$\frac{12005773}{45927}$	$\frac{372178963}{413343}$	$\frac{11537547853}{3720087}$	
3 Max. motor shaft diameter	mm 1.5	1.5	1.5	1.5	1.5	1.5	
Part Numbers	207834	207835	207836	207837	207838	207839	
1 Reduction	9.1:1	31:1	108:1	371:1	1278:1	4402:1	
2 Absolute reduction	$\frac{899}{99}$	$\frac{27869}{391}$	$\frac{863939}{8019}$	$\frac{26782109}{72171}$	$\frac{830245379}{649539}$	$\frac{25737606749}{5845851}$	
3 Max. motor shaft diameter	mm 1.5	1.5	1.5	1.5	1.5	1.5	
Part Numbers	144410	143762	143764	143766	143768	143770	
1 Reduction	12:1	41:1	141:1	485:1	1670:1	5752:1	
2 Absolute reduction	$\frac{961}{81}$	$\frac{29791}{729}$	$\frac{923521}{6561}$	$\frac{28629151}{59049}$	$\frac{887503681}{531441}$	$\frac{27512614111}{4782969}$	
3 Max. motor shaft diameter	mm 1	1	1	1	1	1	
4 Number of stages	2	3	4	5	6	7	
5 Max. continuous torque	Nm 0.015	0.025	0.035	0.040	0.040	0.040	
6 Max. intermittent torque at gear output	Nm 0.10	0.10	0.10	0.10	0.10	0.10	
12 Direction of rotation, drive to output	=	≠	=	≠	=	≠	
7 Max. efficiency	% 81	73	66	59	53	48	
8 Weight	g 9.0	9.8	10.2	10.7	11.3	11.7	
9 Average backlash no load	° 1.0	1.0	1.2	1.2	1.5	1.5	
10 Mass inertia	gcm ² 0.0032	0.0031	0.0031	0.0031	0.0031	0.0031	
11 Gearhead length L1	mm 11.8	12.8	14.8	16.8	18.8	20.8	



maxon Modular System					
+ Motor	Page	+ Sensor/Brake	Page	Overall length [mm] = Motor length + gearhead length + (sensor/brake) + assembly parts	
A-max 16	159-162			37.3	38.3 40.3 42.3 44.3 46.3
A-max 16	160/162	MR	475/476	42.3	43.3 45.3 47.3 49.3 51.3