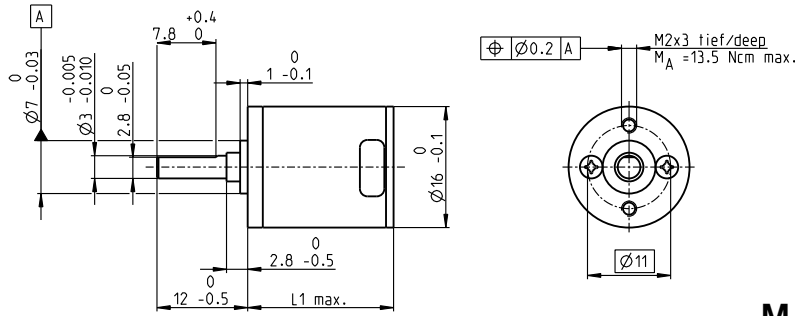


Spur Gearhead GS 16 VZ $\varnothing 16$ mm, 0.1 Nm

Low Backlash

gear



M 1:1

Technical Data

Spur Gearhead	straight teeth
Output shaft	stainless steel, hardened
Bearing at output	preloaded ball bearings
Radial play, 6.5 mm from flange	max. 0.02 mm
Axial play at axial load	< 5 N 0 mm > 5 N max. 0.05 mm
Max. axial load (dynamic)	5 N
Max. force for press fits	5 N
Max. continuous input speed	8000 rpm
Recommended temperature range	-15...+100°C
Extended range as option	-40...+100°C
Number of stages	4 5 6
Max. radial load, 6.5 mm from flange	20 N 22 N 22 N

	Part Numbers		
	327789	327796	327800
Gearhead Data			
1 Reduction	76:1	261:1	900:1
2 Absolute reduction	$\frac{387283}{5103}$	$\frac{12005773}{45927}$	$\frac{372178963}{413343}$
3 Max. motor shaft diameter	mm 1.5	1.5	1.5
Part Numbers			
1 Reduction	108:1	371:1	1278:1
2 Absolute reduction	$\frac{863939}{8019}$	$\frac{26782109}{72171}$	$\frac{830245379}{649539}$
3 Max. motor shaft diameter	mm 1.5	1.5	1.5
Part Numbers			
1 Reduction	141:1	485:1	1670:1
2 Absolute reduction	$\frac{923521}{6561}$	$\frac{28629151}{59049}$	$\frac{887503681}{531441}$
3 Max. motor shaft diameter	mm 1	1	1
4 Number of stages	4	5	6
5 Max. continuous torque	Nm 0.10	0.10	0.10
6 Max. intermittent torque at gear output	Nm 0.30	0.30	0.30
12 Direction of rotation, drive to output	=	≠	=
7 Max. efficiency	% 62	54	48
8 Weight	g 17.2	18.7	20.2
9 Average backlash no load	° 0.3	0.45	0.5
10 Mass inertia	gcm ² 0.017	0.014	0.013
11 Gearhead length L1	mm 19.3	21.3	23.3



maxon Modular System				
+ Motor	Page	+ Sensor/Brake	Page	Overall length [mm] = Motor length + gearhead length + (sensor/brake) + assembly parts
A-max 16	159-162			44.8 46.8 48.8
A-max 16	160/162	MR	475/476	49.8 51.8 53.8