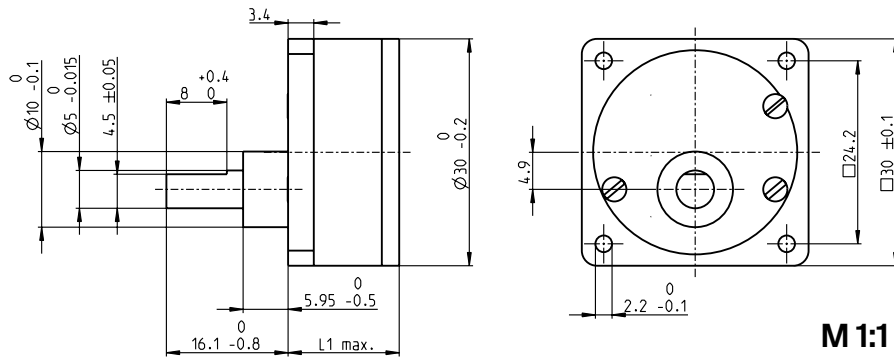


Spur Gearhead GS 30 A $\varnothing 30$ mm, 0.07-0.2 Nm



Technical Data

Spur Gearhead	straight teeth
Output shaft	stainless steel
Shaft diameter as option	8 mm
Bearing at output	sleeve bearing
Radial play, 5 mm from flange	max. 0.1 mm
Axial play	0.03-0.2 mm
Max. axial load (dynamic)	15 N
Max. force for press fits	400 N
Max. continuous input speed	5000 rpm
Recommended temperature range	-5...+80°C
Max. radial load, 5 mm from flange	35 N

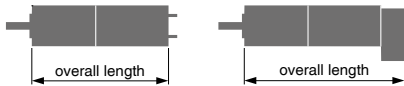
gear

Option: Low-noise version

- Stock program
- Standard program
- Special program (on request)

Part Numbers

Gearhead Data	Part Numbers						
	110445	110446	110447	110448	110449	110450	
1 Reduction	15:1	30:1	60:1	100:1	200:1	500:1	
2 Absolute reduction	15	30	60	100	200	500	
3 Max. motor shaft diameter	mm 2	2	2	2	2	2	
4 Number of stages	3	3	4	4	5	6	
5 Max. continuous torque	Nm 0.07	0.07	0.10	0.10	0.20	0.20	
6 Max. intermittent torque at gear output	Nm 0.21	0.21	0.30	0.30	0.60	0.60	
12 Direction of rotation, drive to output	≠	≠	=	=	≠	=	
7 Max. efficiency	% 73	73	66	66	60	53	
8 Weight	g 40	40	45	45	50	55	
9 Average backlash no load	1.0	1.0	1.5	1.5	2.0	2.5	
10 Mass inertia	gcm ² 0.17	0.14	0.12	0.10	0.10	0.10	
11 Gearhead length L1	mm 23.0	23.0	25.5	25.5	30.5	30.5	



maxon Modular System

+ Motor	Page	+ Sensor/Brake	Page	Overall length [mm] = Motor length + gearhead length + (sensor/brake) + assembly parts					
A-max 26	171-174			67.8	67.8	70.3	70.3	75.3	75.3
A-max 26	171-174 MR		478	76.6	76.6	79.1	79.1	84.1	84.1
A-max 26	171-174 Enc 22		483	82.2	82.2	84.7	84.7	89.7	89.7
A-max 26	171-174 HED_ 5540		487/489	86.2	86.2	88.7	88.7	93.7	93.7