

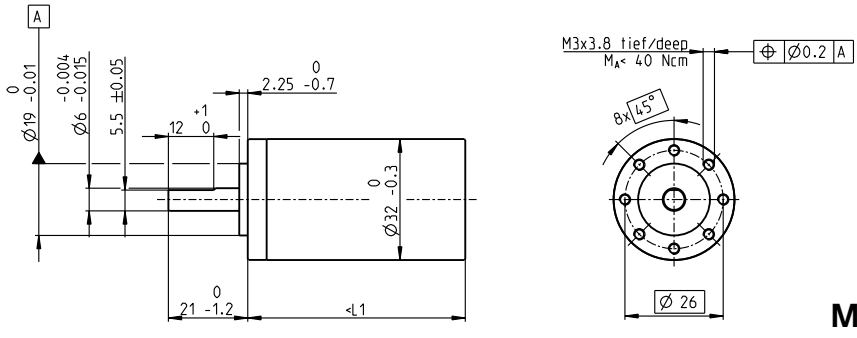
Koaxdrive KD 32 $\varnothing 32$ mm, 1.0–4.5 Nm

Low Noise

Technical Data

Planetary Gearhead	special toothing
Output shaft	stainless steel
Bearing at output	ball bearing
Radial play, 5 mm from flange	max. 0.14 mm
Axial play	max. 0.4 mm
Max. axial load (dynamic)	120 N
Max. force for press fits	120 N
Direction of rotation, drive to output	=
Max. continuous input speed	8000 rpm
Recommended temperature range	-15...+80°C
Number of stages	1 2 3
Max. radial load, 10 mm from flange	90 N 140 N 200 N

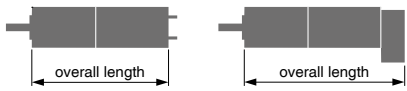
gear



M 1:2

Option: higher reduction ratio on request

	Part Numbers									
	354722	354725	354962	354730	354731	354734	354737	354963	354742	
Legend	<ul style="list-style-type: none"> Stock program Standard program Special program (on request) 									
Gearhead Data										
1 Reduction	11:1	41:1	82:1	158:1	152:1	253:1	392:1	705:1	1091:1	
2 Absolute reduction	$\frac{11}{1}$	$\frac{286}{7}$	$\frac{408}{5}$	$\frac{792}{5}$	$\frac{7436}{49}$	$\frac{6336}{25}$	$\frac{9792}{25}$	$\frac{9867}{14}$	$\frac{17457}{16}$	
7 Max. efficiency	78%	70%	65%	61%	63%	63%	59%	55%	55%	
10 Mass inertia	0.65 gcm ²	0.60	0.60	0.35	0.60	0.60	0.35	0.35	0.22	
Part Numbers	354723	354726	354728	354744	354732	354735	354738	354740		
1 Reduction	17:1	53:1	98:1	190:1	196:1	304:1	455:1	760:1		
2 Absolute reduction	$\frac{17}{1}$	$\frac{264}{5}$	$\frac{391}{4}$	$\frac{759}{4}$	$\frac{6864}{35}$	$\frac{1518}{5}$	$\frac{22308}{49}$	$\frac{19008}{25}$		
7 Max. efficiency	72%	70%	65%	65%	63%	63%	55%	55%		
10 Mass inertia	0.38 gcm ²	0.60	0.35	0.35	0.60	0.60	0.22	0.22		
Part Numbers	354724	354727	354729		354733	354736	354739	354741		
1 Reduction	33:1	63:1	123:1		235:1	364:1	588:1	911:1		
2 Absolute reduction	$\frac{33}{1}$	$\frac{442}{7}$	$\frac{858}{7}$		$\frac{11492}{49}$	$\frac{5819}{16}$	$\frac{20592}{35}$	$\frac{4554}{5}$		
7 Max. efficiency	68%	70%	61%		63%	63%	59%	55%		
10 Mass inertia	0.65 gcm ²	0.60	0.22		0.60	0.60	0.35	0.22		
3 Max. motor shaft diameter	3 mm	3	3	3	3	3	3	3	3	3
4 Number of stages	1	2	2	2	3	3	3	3	3	3
5 Max. continuous torque	1 Nm	3.5	3.5	3.5	4.5	4.5	4.5	4.5	4.5	4.5
6 Max. intermittent torque at gear output	1.25 Nm	4.4	4.4	4.4	6.5	6.5	6.5	6.5	6.5	6.5
8 Weight	130 g	230	230	230	262	262	262	262	262	262
9 Average backlash no load	3.5 °	1	1	1	1	1	1	1	1	1
11 Gearhead length L1	40.7 mm	57.9	57.9	57.9	67.6	67.6	67.6	67.6	67.6	67.6



maxon Modular System

+ Motor	Page	+ Sensor/Brake	Page	Overall length [mm] = Motor length + gearhead length + (sensor/brake) + assembly parts								
RE 25	144/146			95.3	112.5	112.5	112.5	122.2	122.2	122.2	122.2	122.2
RE 25	144/146	MR	478	106.3	123.5	123.5	123.5	133.2	133.2	133.2	133.2	133.2
RE 25	144/146	Enc 22	483	109.4	126.6	126.6	126.6	136.3	136.3	136.3	136.3	136.3
RE 25	144/146	HED_5540	486/488	116.1	133.3	133.3	133.3	143.0	143.0	143.0	143.0	143.0
RE 25	144/146	DCT 22	495	117.6	134.8	134.8	134.8	144.5	144.5	144.5	144.5	144.5
RE 25, 20 W	145			83.8	101.0	101.0	101.0	110.7	110.7	110.7	110.7	110.7
RE 25, 20 W	145	MR	478	94.8	112.0	112.0	112.0	121.7	121.7	121.7	121.7	121.7
RE 25, 20 W	145	HED_5540	487/488	104.6	121.8	121.8	121.8	131.5	131.5	131.5	131.5	131.5
RE 25, 20 W	145	DCT 22	495	106.1	123.3	123.3	123.3	133.0	133.0	133.0	133.0	133.0
RE 25, 20 W	145	AB 28	535	117.9	135.1	135.1	135.1	144.8	144.8	144.8	144.8	144.8
RE 25, 20 W	145	HED_5540/AB 28	487/535	135.1	152.3	152.3	152.3	162.0	162.0	162.0	162.0	162.0
RE 30, 60 W	148			108.8	126.0	126.0	126.0	135.7	135.7	135.7	135.7	135.7
RE 30, 60 W	148	MR	479	120.2	137.4	137.4	137.4	147.1	147.1	147.1	147.1	147.1
RE 30, 60 W	148	HEDL 5540	488	129.6	146.8	146.8	146.8	156.5	156.5	156.5	156.5	156.5
EC-max 22, 12 W	248			72.8	89.9	89.9	89.9	99.6	99.6	99.6	99.6	99.6
EC-max 22, 12 W	248	MR	477	82.4	99.5	99.5	99.5	109.2	109.2	109.2	109.2	109.2
EC-max 22, 12 W	248	AB 20	532	108.4	125.5	125.5	125.5	135.2	135.2	135.2	135.2	135.2
EC-max 22, 25 W	249			89.3	106.4	106.4	106.4	116.1	116.1	116.1	116.1	116.1
EC-max 22, 25 W	249	MR	477	89.9	116.0	116.0	116.0	125.7	125.7	125.7	125.7	125.7
EC-max 22, 25 W	249	AB 20	532	124.9	142.0	142.0	142.0	151.7	151.7	151.7	151.7	151.7
EC-max 30, 40 W	250			82.8	99.9	99.9	99.9	109.6	109.6	109.6	109.6	109.6
EC-max 30, 40 W	250	MR	478	95.0	112.1	112.1	112.1	121.8	121.8	121.8	121.8	121.8
EC-max 30, 40 W	250	HEDL 5540	490	103.4	120.5	120.5	120.5	130.2	130.2	130.2	130.2	130.2
EC-max 30, 40 W	250	AB 20	532	118.4	135.5	135.5	135.5	145.2	145.2	145.2	145.2	145.2
EC-max 30, 40 W	250	HEDL 5540/AB 20	490/532	139.0	156.1	156.1	156.1	165.8	165.8	165.8	165.8	165.8
EC-max 30, 60 W	251			104.8	121.9	121.9	121.9	131.6	131.6	131.6	131.6	131.6
EC-max 30, 60 W	251	MR	478	117.0	134.1	134.1	134.1	143.8	143.8	143.8	143.8	143.8
EC-max 30, 60 W	251	HEDL 5540	490	125.4	142.5	142.5	142.5	152.2	152.2	152.2	152.2	152.2
EC-max 30, 60 W	251	AB 20	532	140.4	157.5	157.5	157.5	167.2	167.2	167.2	167.2	167.2
EC-max 30, 60 W	251	HEDL 5540/AB 20	490/532	161.0	178.1	178.1	178.1	187.8	187.8	187.8	187.8	187.8