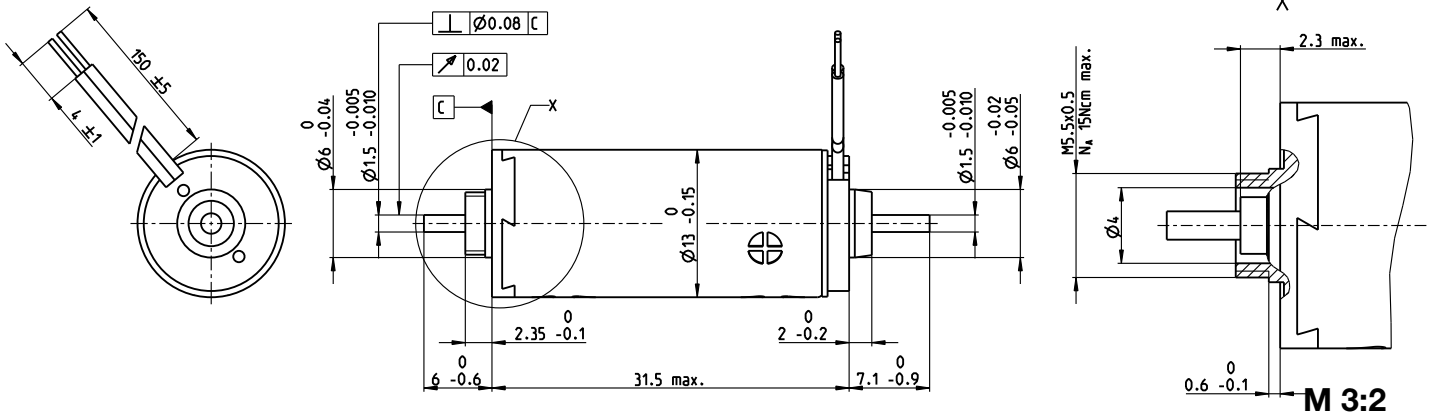


# RE-max 13 Ø13 mm, Precious Metal Brushes CLL, 2 Watt

Kabel AWG 28/7  
cable UL Style 1061

⊕ Kabel rot  
cable red



- Stock program
- Standard program
- Special program (on request)

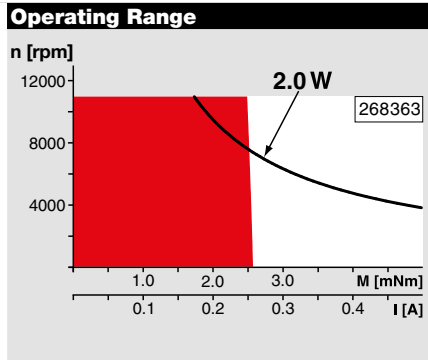
## Part Numbers

268351	268353	268355	268356	268357	268358	268359	268360	268361	268362	268363	268364	268365	268366	268367
--------	--------	--------	--------	--------	--------	--------	--------	--------	--------	--------	--------	--------	--------	--------

Motor Data																
Values at nominal voltage																
1 Nominal voltage	V	1.5	1.5	1.8	2.4	3	3	3.6	4.2	4.8	6	7.2	9	10	12	15
2 No load speed	rpm	6570	6080	6380	7180	7100	6300	6810	6620	6500	6820	6600	6640	6840	7030	7160
3 No load current	mA	43.8	39.8	35.3	30.8	24.3	20.9	19.2	15.9	13.5	11.5	9.2	7.42	6.95	5.99	4.91
4 Nominal speed	rpm	5550	4830	4840	5290	4720	3590	3690	3150	3160	3420	3180	3230	3420	3630	3700
5 Nominal torque (max. continuous torque)	mNm	0.941	1.02	1.18	1.42	1.82	2.06	2.3	2.66	2.76	2.7	2.69	2.7	2.68	2.69	2.64
6 Nominal current (max. continuous current)	A	0.48	0.48	0.48	0.48	0.48	0.48	0.48	0.46	0.41	0.337	0.271	0.219	0.201	0.173	0.139
7 Stall torque	mNm	5.57	4.7	4.71	5.26	5.35	4.76	5.01	5.09	5.4	5.45	5.24	5.32	5.4	5.61	5.53
8 Stall current	A	2.59	2.03	1.78	1.68	1.35	1.07	1.01	0.856	0.779	0.66	0.511	0.418	0.394	0.35	0.281
9 Max. efficiency	%	76	74	74	75	75	74	75	75	76	76	75	75	76	76	76
Characteristics																
10 Terminal resistance	Ω	0.578	0.738	1.01	1.43	2.22	2.81	3.56	4.91	6.16	9.09	14.1	21.5	25.4	34.3	53.3
11 Terminal inductance	mH	0.0157	0.0182	0.0237	0.0334	0.0534	0.0675	0.0834	0.12	0.163	0.232	0.356	0.549	0.638	0.872	1.31
12 Torque constant	mNm/A	2.15	2.31	2.64	3.14	3.96	4.46	4.95	5.94	6.94	8.26	10.2	12.7	13.7	16	19.6
13 Speed constant	rpm/V	4450	4130	3610	3040	2410	2140	1930	1610	1380	1160	933	751	697	596	486
14 Speed / torque gradient	rpm/mNm	1200	1320	1380	1390	1350	1350	1380	1330	1220	1270	1280	1270	1290	1270	1320
15 Mechanical time constant	ms	8.61	8.3	8.01	7.78	7.57	7.51	7.49	7.4	7.31	7.33	7.33	7.31	7.31	7.32	7.37
16 Rotor inertia	gcm <sup>2</sup>	0.686	0.601	0.553	0.535	0.535	0.531	0.517	0.533	0.57	0.55	0.546	0.549	0.541	0.548	0.534

### Specifications

Thermal data	
17 Thermal resistance housing-ambient	37 K/W
18 Thermal resistance winding-housing	10 K/W
19 Thermal time constant winding	6.97 s
20 Thermal time constant motor	277 s
21 Ambient temperature	-20...+65°C
22 Max. winding temperature	+85°C
Mechanical data (sleeve bearings)	
23 Max. speed	11 000 rpm
24 Axial play	0.05 - 0.15 mm
25 Radial play	0.014 mm
26 Max. axial load (dynamic)	0.8 N
27 Max. force for press fits (static) (static, shaft supported)	35 N
28 Max. radial load, 5 mm from flange	140 N



### Comments

**Continuous operation**  
In observation of above listed thermal resistance (lines 17 and 18) the maximum permissible winding temperature will be reached during continuous operation at 25°C ambient.  
= Thermal limit.

**Short term operation**  
The motor may be briefly overloaded (recurring).

**Assigned power rating**

### Other specifications

29 Number of pole pairs	1
30 Number of commutator segments	7
31 Weight of motor	24 g

CLL = Capacitor Long Life  
Alignment of the electronic connections not specified

Values listed in the table are nominal.  
Explanation of the figures on page 64.

### maxon Modular System

**Planetary Gearhead**  
Ø13 mm  
0.05 - 0.15 Nm  
Page 314

**Planetary Gearhead**  
Ø13 mm  
0.2 - 0.35 Nm  
Page 315

**Recommended Electronics:**  
Notes Page 30

ESCON Module 24/2,	426
ESCON 36/2 DC	426
EPOS2 24/2	434
EPOS2 Module 36/2	434
EPOS4 Mod./CB 24/1.5	441
MAXPOS 50/5	447

**Encoder MR**  
16 CPT,  
2 channels  
Page 397

**Encoder MR**  
64 - 256 CPT,  
2 channels  
Page 398/399