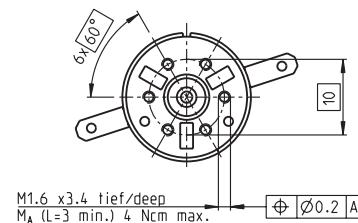
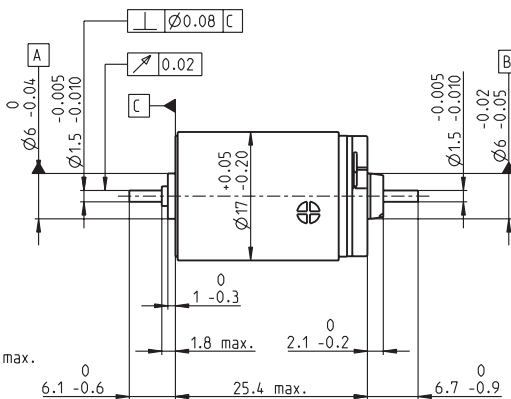
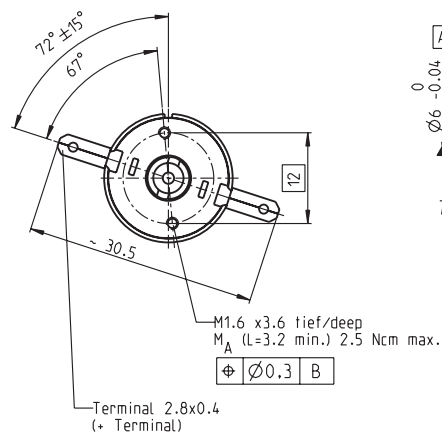


RE-max 17 Ø17 mm, Graphite Brushes, 4.5 Watt



M 1:1

- Stock program
- Standard program
- Special program (on request)

Part Numbers

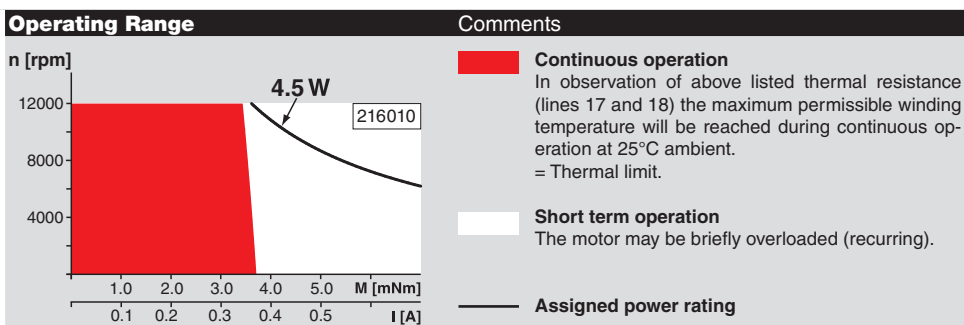
Motor Data	216008	216009	269571	216010	216011	216012	216013	216014	216015	216016	216017	
Values at nominal voltage												
1 Nominal voltage	V	3	4.8	9	12	15	21	24	24	30	36	48
2 No load speed	rpm	11100	10100	10500	10400	10500	11100	10800	9630	10000	10700	9350
3 No load current	mA	152	85.2	47.4	35.3	28.6	21.7	18.5	16.1	13.5	12.1	7.82
4 Nominal speed	rpm	10300	8070	7730	7650	7760	8290	8070	6800	7200	7820	6390
5 Nominal torque (max. continuous torque)	mNm	1.44	2.82	4.06	4.06	4.02	3.97	4	4.02	3.98	3.88	3.85
6 Nominal current (max. continuous current)	A	0.72	0.72	0.553	0.412	0.33	0.245	0.211	0.189	0.156	0.135	0.0883
7 Stall torque	mNm	20.7	14.3	15.8	15.6	15.6	16.1	15.9	14	14.4	14.8	12.5
8 Starting current	A	8.19	3.24	1.97	1.45	1.17	0.911	0.773	0.605	0.518	0.473	0.262
9 Max. efficiency	%	75	70	72	72	71	72	72	70	71	71	69
Characteristics												
10 Terminal resistance	Ω	0.366	1.48	4.57	8.25	12.8	23	31.1	39.7	57.9	76.1	183
11 Terminal inductance	mH	0.0114	0.0348	0.114	0.205	0.313	0.557	0.758	0.955	1.37	1.75	4.03
12 Torque constant	mNm/A	2.53	4.42	8	10.7	13.3	17.7	20.6	23.2	27.8	31.4	47.6
13 Speed constant	rpm/V	3780	2160	1190	889	720	540	463	412	344	304	201
14 Speed / torque gradient	rpm/mNm	548	723	681	683	694	703	697	706	716	739	773
15 Mechanical time constant	ms	6.08	6.21	6.2	6.22	6.24	6.26	6.27	6.3	6.28	6.31	6.42
16 Rotor inertia	gcm ²	1.06	0.82	0.869	0.868	0.859	0.849	0.859	0.852	0.838	0.816	0.793

Specifications	
Thermal data	
17 Thermal resistance housing-ambient	35 K/W
18 Thermal resistance winding-housing	12 K/W
19 Thermal time constant winding	9.65 s
20 Thermal time constant motor	343 s
21 Ambient temperature	-30...+85°C
22 Max. permissible winding temperature	+125°C
Mechanical data (sleeve bearings)	
23 Max. permissible speed	11900 rpm
24 Axial play	0.05 - 0.15 mm
25 Radial play	0.012 mm
26 Max. axial load (dynamic)	0.8 N
27 Max. force for press fits (static) (static, shaft supported)	35 N / 280 N
28 Max. radial load, 5 mm from flange	1.4 N
Mechanical data (ball bearings)	
23 Max. permissible speed	11900 rpm
24 Axial play	0.05 - 0.15 mm
25 Radial play	0.025 mm
26 Max. axial load (dynamic)	2.2 N
27 Max. force for press fits (static) (static, shaft supported)	30 N / 280 N
28 Max. radial load, 5 mm from flange	7.8 N
Other specifications	
29 Number of pole pairs	1
30 Number of commutator segments	7
31 Weight of motor	26 g

Values listed in the table are nominal.
Explanation of the figures on page 79.

Option

- Ball bearings in place of sleeve bearings
- Pigtails in place of terminals



maxon Modular System		Overview on page 20–25
Planetary Gearhead Ø16 mm 0.1 - 0.3 Nm Page 254		Encoder MR 32 CPT, 2 / 3 channels Page 316 Encoder MR 128 / 256 / 512 CPT, 2 / 3 channels Page 317
Recommended Electronics:		
ESCON 36/2 DC	Page 342	
ESCON Module 50/5	343	
ESCON 50/5	344	
EPOS2 24/2	350	
EPOS2 Module 36/2	350	
EPOS3 70/10 EtherCAT	357	
MAXPOS 50/5	360	
Notes	22	