

**RE7557 SERIE**



**for Hybrids, Motors and Nuclear application**

- ➔ **Compact and small**
- ➔ **max. speed 30'000 RPM**
- ➔ **max. temperature up to 200°C**
- ➔ **Brushless Resolver**
- ➔ **Available in different models**

**Product description**

The MICRONOR RE7557 frameless Resolver provides high performance in measurement and feedback applications where traditional resolver fail. Perfect for Aerospace, Space, Submarine or other severe applications. The solid rotor has no coils and the stator has only half the number of windings of a traditional brushless resolver, reliability is significantly increased. Solid rotor allows operation with the rotor oil or other liquids.

**Application**

Applications are Industrial tachometer, High-speed spindles, Motor feedback, for AC and DC Servo Motors, Angle measurement, Flight control systems, Hydraulic pumps, Down hole.

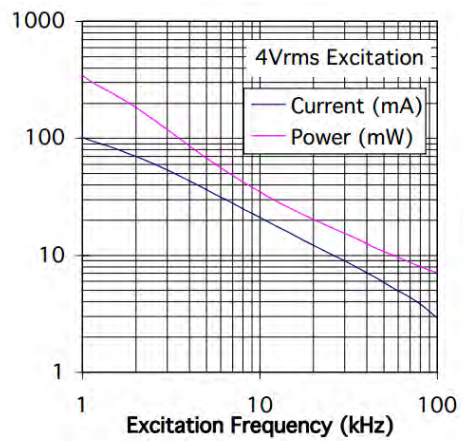
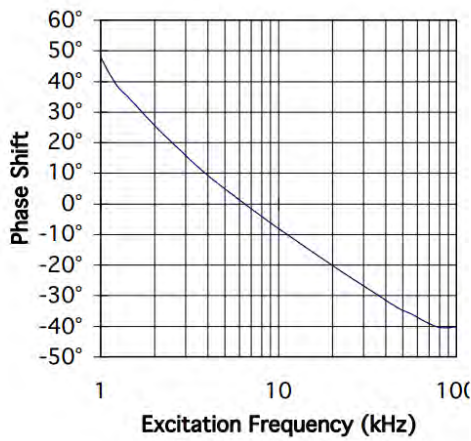
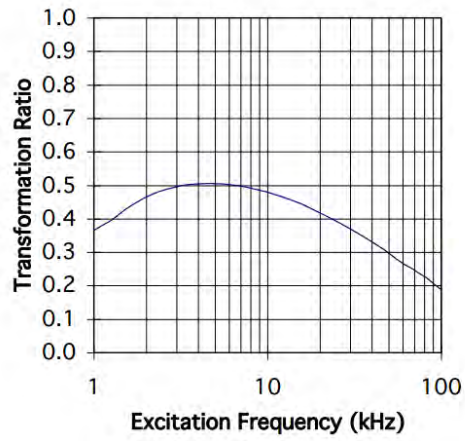
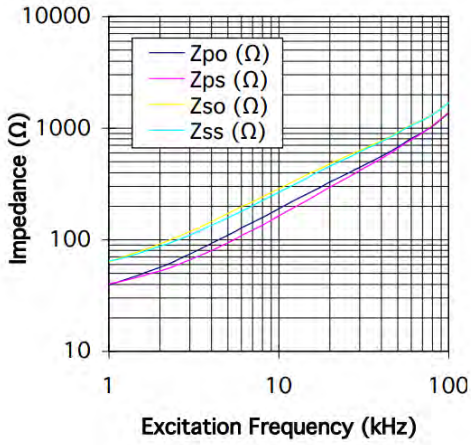
**Technical specifications**

Max. dimension		ø 75 mm
Accuracy		+/- 60 arc minutes
Bore diameter		ø 46 H7
Cable outlet		300 mm
Lead wire size		26 AWG
	<i>Electrical data</i>	
Excitation frequency		8 kHz typical
Excitation amplitude		5 Vrms typical
Primary DC resistance		30 Ohm (+/- 10%)
Secondary DC resistance		80 Ohm (+/- 10%)
Transformation ratio		0,5 (+/- 10%)
Insulation Resistance		100 Mega Ohm minimum
Dielectric Strength		(Hipot)
winding to winding		300 Vac
winding to housing		500 Vac
	<i>Mechanical data</i>	
Operating temperature		(see order code)
Maximum speed		(see order code)
Radial air gap		0,3 mm nominal
Rotor inertia		1.8 gxcm <sup>2</sup>
Weight		300 g
Shock resistance		20G
Vibration		10....50Hz, 10G over 0.5 Std.

**RE7557 SERIE**



Electrical Outline drawing (only for info not absolute value)

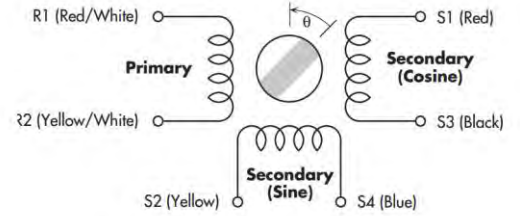


**RE7557 SERIE**



Electrical Connection

Ref+	red/white	R1
Ref-	yel/white	R2
Cos+	red	S1
Cos-	black	S3
Sin+	yellow	S2
Sin-	blue	S4

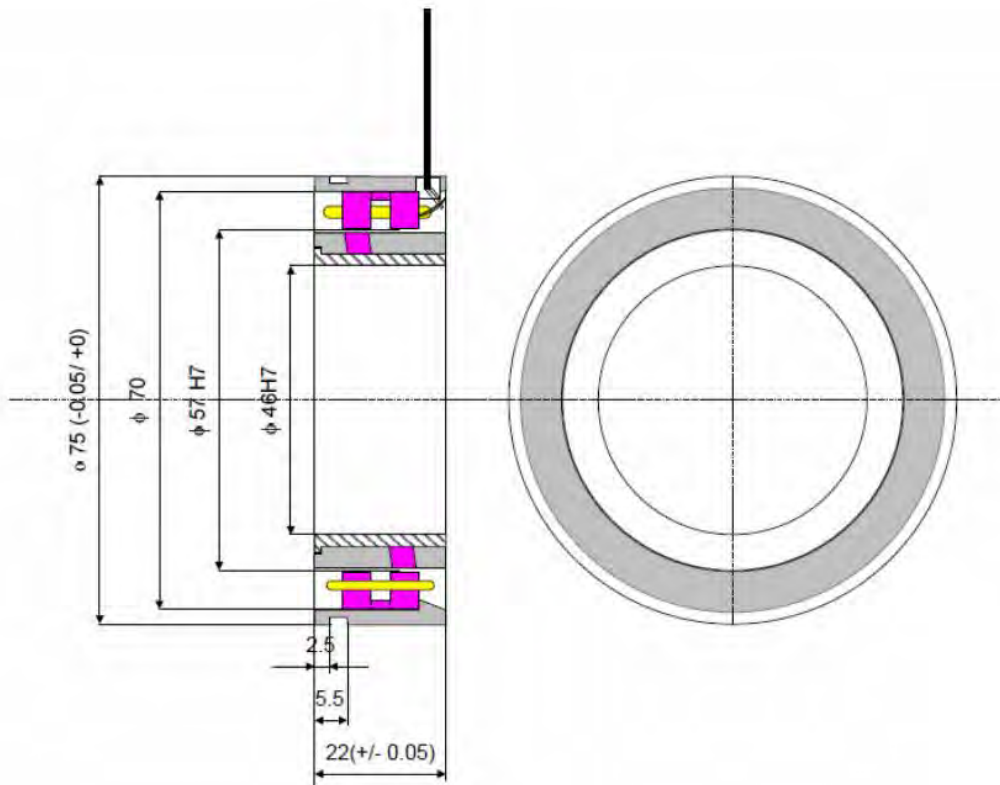


$$V_{(S1-S3)} = V_{(R1-R2)} \times TR \times \cos(\theta)$$

$$V_{(S2-S4)} = V_{(R1-R2)} \times TR \times \sin(\theta)$$

$\theta$  increases for CCW rotation when viewed from lead exit end

Dimension in mm



**RE7557 SERIE**



Order Code

<b>8200.00.333</b>	<b>Standard solution</b>	
	Size	75 x 22mm
	Bore	46mm
	Leads length	300mm
	Max. RPM	27'000
	Temperature range	- 40°C ... +130°C
<b>8200.00.335</b>	<b>RAD solution</b>	
	Size	75 x 22mm
	Bore	46mm
	Leads length	300mm
	Max. RPM	30'000
	Temperature range	-70°C...200°C
<b>8200.00.340</b>	<b>High speed solution</b>	
	Size	75 x 22mm
	Bore	46mm
	Leads length	300mm
	max. RPM	30'000
	Temperature range	- 40°C ... +130°C
<b>8200.00.383</b>	<b>high temperature solution</b>	
	Size	75 x 22mm
	Bore	46mm
	Leads length	300mm
	Max. RPM	30'000
	Temperature range	-60°C...200°C



Questions ?

Phone: +41 (0)44 843 40 20 or Mail: sales@micronor.ch